

LT8619 --- Product Brief

HDMI Dual-mode Receiver

Features

Direct interface to HDMI V1.4 receiver

Multiple pixel formats: RGB 6/8/10/12 bit per

Lonti

Confidential

Applications

Car Entertainment
TV, Monitor

Pico Projector
Smart Projector

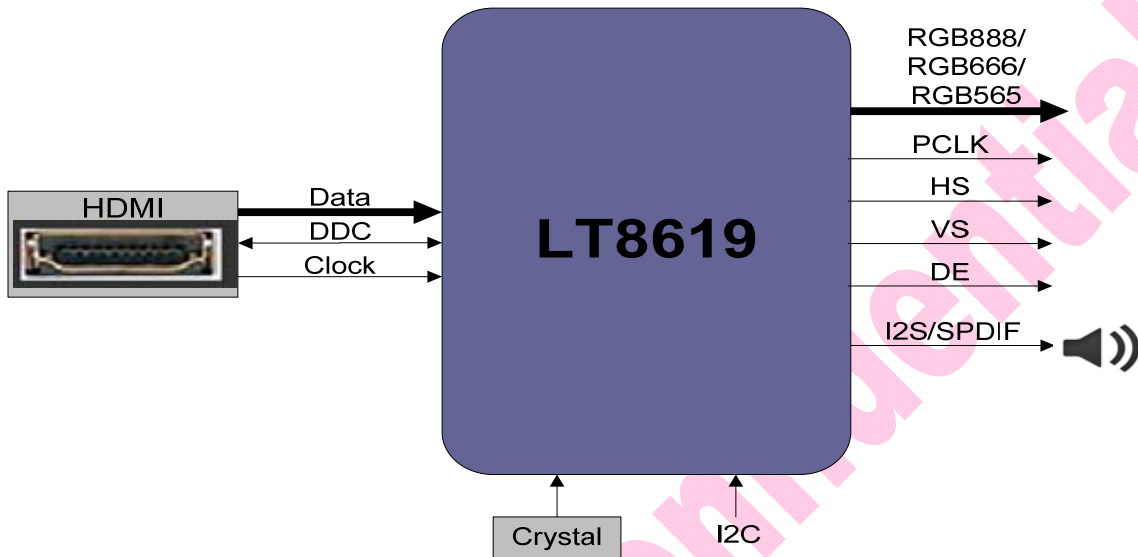


Figure 1. Application Diagram

Ordering Information

Part Number	Operating Temperature Range	Package	Packing Method
@H *%	-(\$v 7' hc ' Ž) v 7	HE: D/%\$	HldY' UbX' FYY

Lontium Confide