

Description

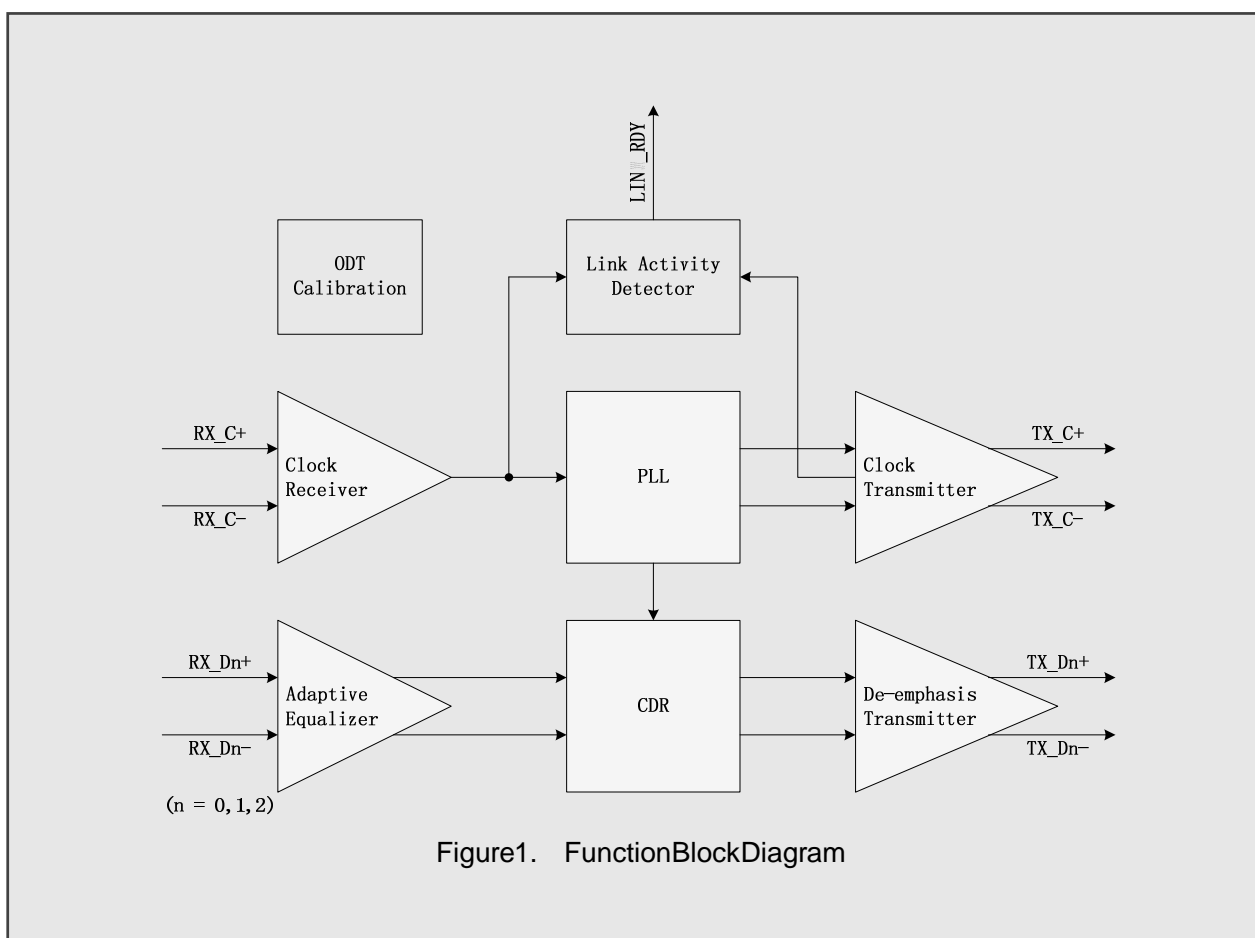
LT86101SX is Lontium's 4th generation HDMI/DVI repeater based on ClearEdge • technology, compliant with the HDMI 1.3 (High Definition Multimedia Interface) specification. It is a 6.75Gbps (3 x 2.25Gbps) high performance re-clocking device that supports 3 TMDS data channels and a single clock channel. The device also integrates a bi-directional DDC active buffer and a parallel CEC active buffer to provide a complete HDMI/DVI repeater solution.

Dual control modes are available for LT86101SX. This provides system designers with very flexible solutions, for

Application

- z TMDs cable equalizer
- z HD televisions and displays
- z DVI/HDMI cable-extender modules
- z Cable assem

Function Block Diagram



Ordering Information

Part Number	Operating Temperature Range	Package	Packing Method
LT86101SX	0° C to 70° C	7mm x 7mm QFN48	Tape and Reel

Copyright © 2012-2015 Lontium Semiconductor Corporation, All rights reserved.

Lontium Semiconductor Proprietary & Confidential

This document and the information it contains belong to Lontium Semiconductor. Any review, use, dissemination, distribution or copying of this document or its information outside the scope of a signed agreement with Lontium is strictly prohibited.

LONTIUM DISCLAIMS ALL WARRANTIES, EXPRESSED OR IMPLIED, INCLUDING THOSE OF NONINFRINGEMENT, MERCHANTABILITY, TITLE AND FITNESS FOR A PARTICULAR PURPOSE. CUSTOMERS EXPRESSLY ASSUME THEIR OWN RISK IN RELYING ON THIS DOCUMENT.

LONTIUM PRODUCTS ARE NOT DESIGNED OR INTENDED FOR USE IN LIFE SUPPORT APPLIANCES, DEVICES OR SYSTEMS WHERE A MALFUNCTION OF A LONTIUM DEVICE COULD RESULT IN A PERSONAL INJURY OR LOSS OF LIFE.

Lontium assumes no responsibility for any errors in this document, and makes no commitment to update the information contained herein. Lontium reserves the right to change or discontinue this document and the products it describes at any time, without notice. Other than as set forth in a separate, signed, written agreement, Lontium grants the user of this document no right, title or interest in the document, the information it contains or the intellectual property it embodies.

Trademarks

Lontium™ and ClearEdge™ is a registered trademark of Lontium Semiconductor. All Other brand names, product names, trademarks, and registered trademarks contained herein are the property of their respective owners.

Visit our corporate web page at: www.lontiumsemi.com

Technical support: support@lontium.com

Sales: sales@lontium.com