

LT2911R --- Product Brief

Dual-Port LVDS to MIPI Converter with Rotation

Features

- **Dual-Port LVDS Receiver**
 - Compatible with VESA and JEIDA standard
 - 1~2 Configurable Port
 - Up to 1080P 60Hz
 - Data Port ,Data Lane and Polarity Swapping
 - Internal Rterm Calibration with Less than 5% Error
 - Programmable Equalization
 - Support input Dessc(30KHz± 5%)
- **MIPI Transmitter**



LONTIUM CO

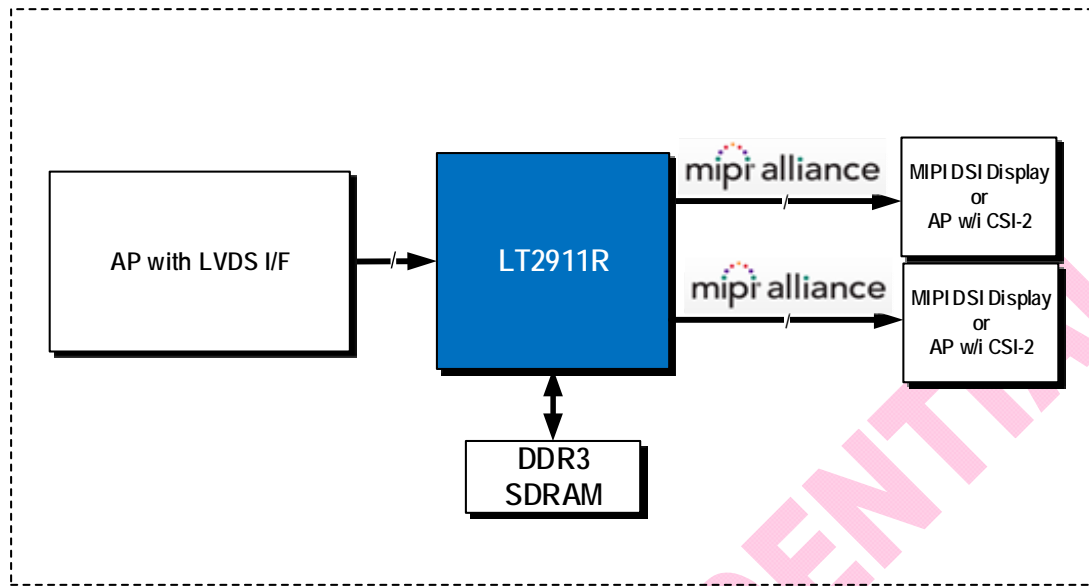


Figure 1. LT2911R/-D Typical Application Diagram

Ordering Information

Table 1. Ordering Information

Part Number	Operating Temperature Range	Package	Packing Method
LT2911R	-40°C to +85°C	QFN128 (14*14)	

Copyright © 2018-2019 Lontium Semiconductor Corporation, All rights reserved.

Lontium Semiconductor Proprietary & Confidential

This document and the information it contains belong to Lontium Semiconductor. Any review, use, dissemination, distribution or copying of this document or its information outside the scope of a signed agreement with Lontium is strictly prohibited.

LONTIUM DISCLAIMS ALL WARRANTIES, EXPRESSED OR IMPLIED, INCLUDING THOSE OF NONINFRINGEMENT, MERCHANTABILITY, TITLE AND FITNESS FOR A PARTICULAR PURPOSE. CUSTOMERS EXPRESSLY ASSUME THEIR OWN RISK IN RELYING ON THIS DOCUMENT.

LONTIUM PRODUCTS ARE NOT DESIGNED OR INTENDED FOR USE IN LIFE SUPPORT APPLIANCES, DEVICES OR SYSTEMS WHERE A MALFUNCTION OF A LONTIUM DEVICE COULD RESULT IN A PERSONAL INJURY OR LOSS OF LIFE.

Lontium assumes no responsibility for any errors in this document, and makes no commitment to update the information contained herein. Lontium reserves the right to change or discontinue this document and the products it describes at any time, without notice. Other than as set forth in a separate, signed, written agreement, Lontium grants the